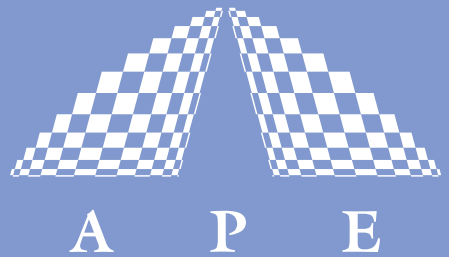


WAVE SCAN



LASER SPECTROMETER



WaveScan is a compact and economic solution for analyzing the spectrum of your cw- or modelocked laser system. Offering fast spectrum measurement at high resolution the APE **WaveScan** is easy and comfortable to handle.

The rotating grating technique allows for high scan rates with the use of simple photodiode detectors. That way spectrum measurement in the VIS and NIR region becomes available at reasonable costs.

Whether you need high scan rates for adjustment or high resolution combined with comfortable measurement control and data processing - the **WaveScan** is the solution.

Scanning spectrum analyzer for cw- and modelocked laser sources

Bandpass < 0.2 nm

Different spectral versions available

Compact and rugged design

Controller with integrated LCD screen

PC controlled version available

Ultrafast Pulse Diagnostics

Spectral Analysis

Acoustooptics

Pulse Management

Wavelength Conversion

Your Partner in Ultrafast

The compact **WaveScan** controller of the stand-alone version has an integrated graphical LCD screen and gives you full access to the spectral data with versatile measuring and display options. The RS232 interface allows for data transmission to an external computer. As an economic alternative there is also a PC controlled version (RS232 interface) without controller unit available.

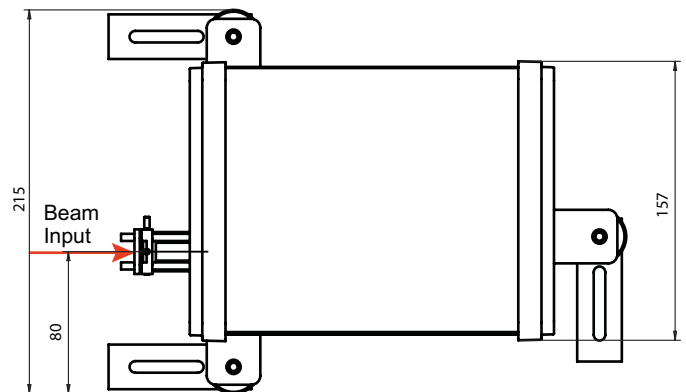
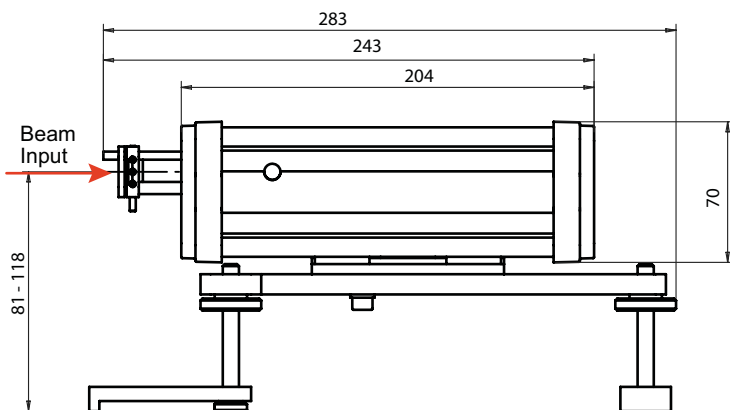
The **WaveScan** optics comes wavelength calibrated with focussing lens and 40 μm entrance slit. A fibre input is optional.

SPECIFICATIONS

Wavelength ranges	500 ... 1100 nm (VIS) 800 ... 1600 nm (IR) 500 ... 1600 nm (VIS/IR) 1000 ... 2600 nm (Extended IR) 350 ... 1100 nm (Blue) 250 ... 1100 nm (UV)
Bandpass	< 0.2 nm (< 0.5 nm for Extended IR)
Wavelength accuracy	± 0.2 nm
Dynamic range	12 bit
Scan rate	6 scans/sec
Minimum laser repetition rate	approx. 4 MHz

DIMENSIONS

Controller 295mm x 145mm x 185mm
Optics (in mm):



Distributors
see APE website

APE GmbH Plauener Straße 163-165 / Haus N 13053 Berlin / Germany
Phone +49 (0)30 98601130 Fax +49 (0)30 98697885 / Web www.ape-berlin.de Email ape@ape-berlin.de
APE follows a policy of continued product improvement. Therefore, specifications are subject to change without notice.